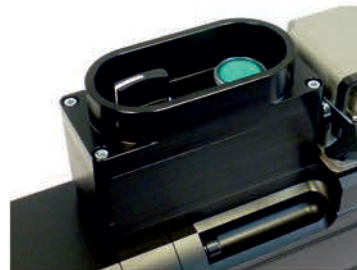
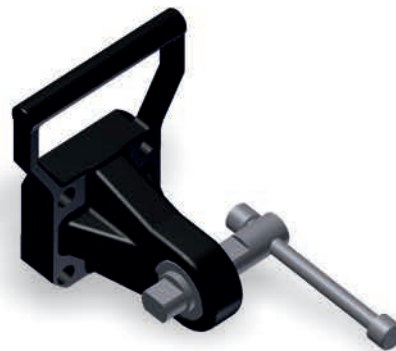


ADVANCED METAL
TECHNOLOGIES

STOPPER ROD DRIVE

FEATURES AND BENEFITS

- › robust actuator for heavy industries
- › only electrical connections
- › not self-locking
- › low weight
- › low force needed for movement in hand mode
- › flange and handle on customer's request
- › fast and easy connection to stopper
- › industrial connector for connection to servodrive
- › possible to assembly by absolute or relative feedback
- › unique identification for operation & maintenance purpose is possible
- › thermo resistor is implemented

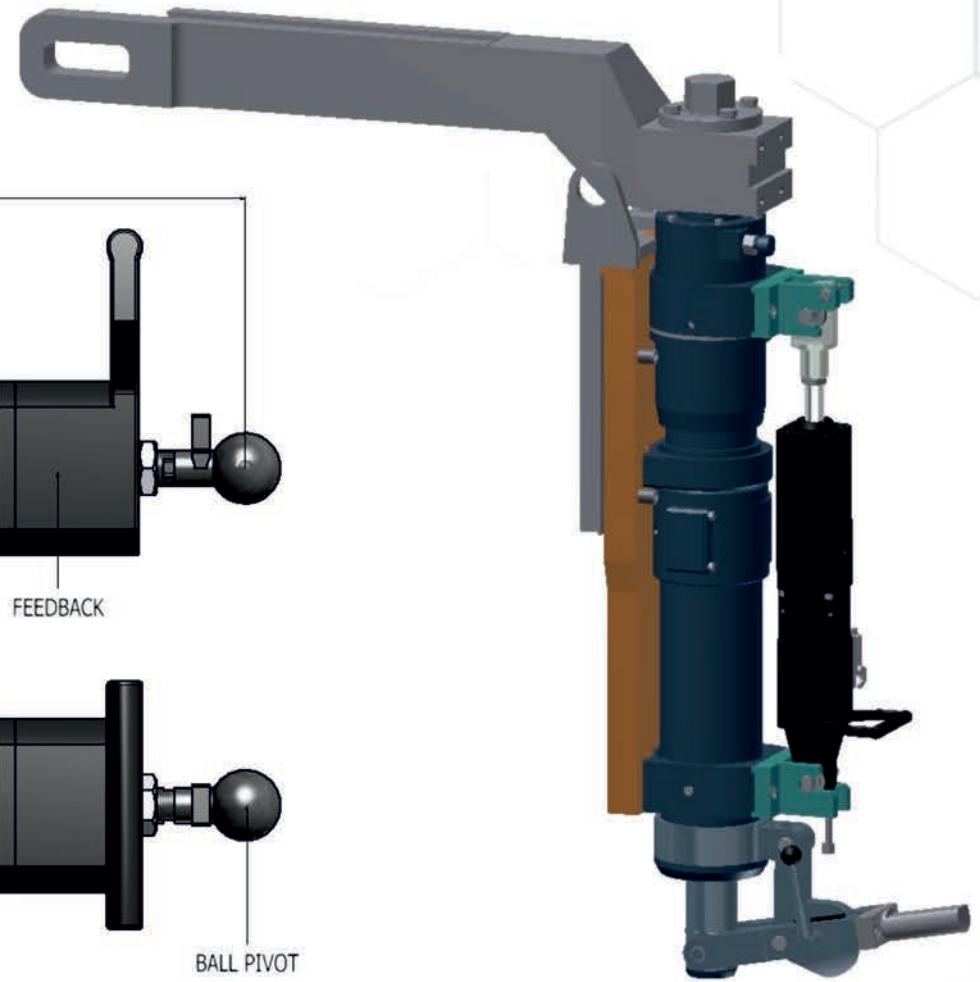
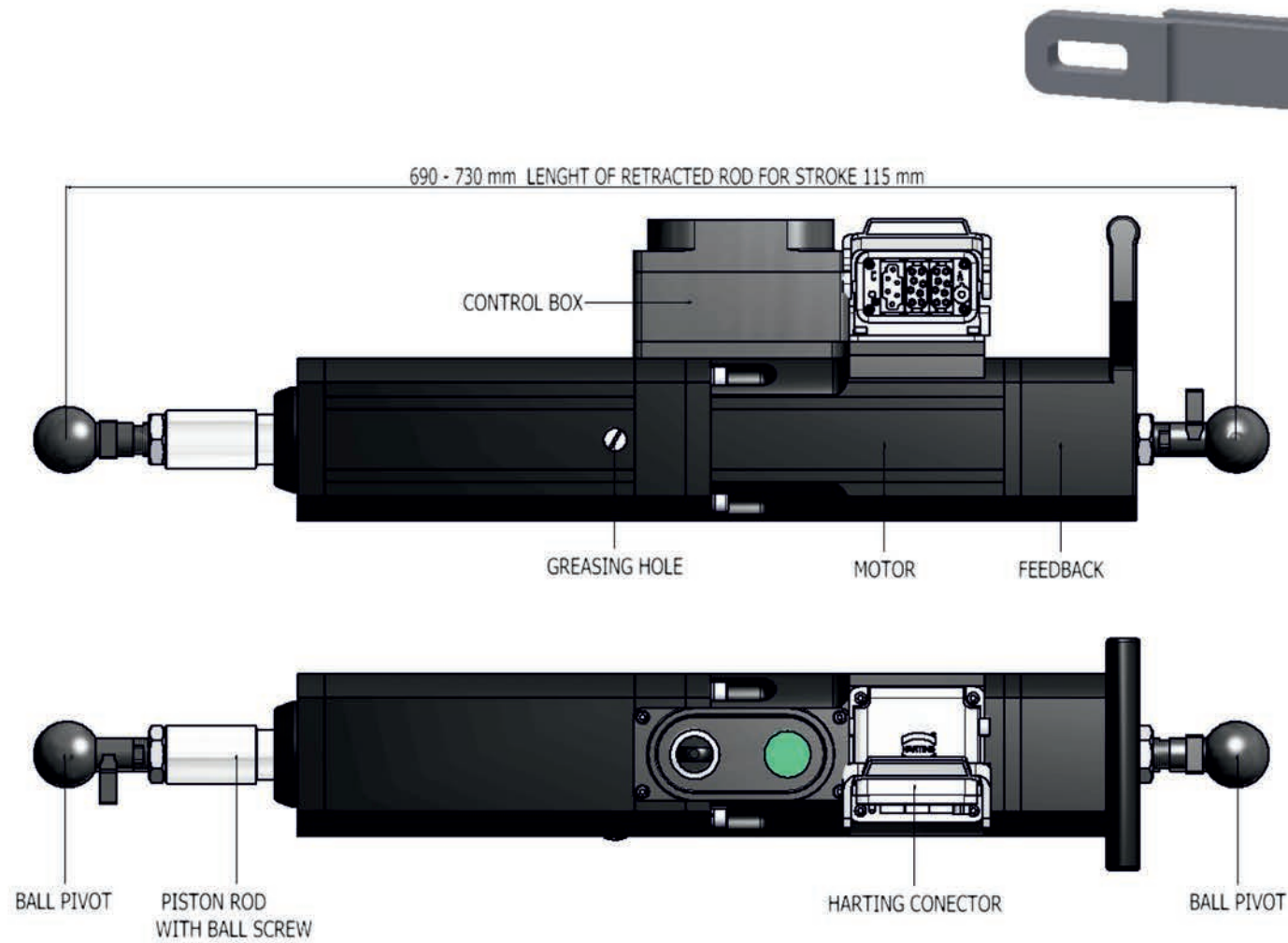


Name	Label	Value	Unit
Rated Speed	nn	3000	min ⁻¹
Nominal AC Voltage	Un	380	V
Rated Torque	Mn	6,1	Nm
Rated AC Current	Mn	5,14	A



Continuous Force Rating	Fn	3 756	N
Peak Force	Fp	10 000	N
Nominal speed	v	500	mm/s
Minimal force in hand mode *		130	N
Stroke		115	mm
Protection		IP 64	
Temperature range		-20 ÷ +90	°C
Power		1.91	kW
Weight		15	kg

STOPPER ROD DRIVE





ADVANCED METAL
TECHNOLOGIES

VÚHŽ a.s.
č.p. 240, 739 51 Dobrá, Czech Republic
tel: +420 558 601 270
e-mail: level@vuhz.cz
www.vuhz.com